

# LB1-SW60 Subwoofer Cabinet 60W

www.boschsecurity.com



**BOSCH**  
Invented for life



- ▶ Compact size
- ▶ Built-in Low-pass filter
- ▶ Wall mounting bracket included
- ▶ Versatile mounting applications
- ▶ Selectable 70 V, 100 V and 4 Ohm input

The LB1-SW60 is the ideal solution for adding low frequency enhancement in general public address applications.

It is a 60 W subwoofer cabinet, which reproduces the low frequency part of a full-range input signal content. The built-in low-pass filter eliminates the need for an external crossover. It features a tuned, ported enclosure and an 8" woofer resulting in a tight, warm bass response. The subwoofer is designed to be used in combination with smaller loudspeakers so-called satellite loudspeakers. These smaller loudspeakers reproduce full frequency range, but lack bass response because of their small size. One or more subwoofers connected in combination with Bosch Ceiling-, Cabinet-, Column Loudspeakers and Sound projectors is possible.

The built-in matching transformer allows easy integration in existing and new constant voltage installations.

### Certifications and approvals

All Bosch loudspeakers are designed to withstand operating at their rated power for 100 hours in accordance with IEC 268-5 Power Handling Capacity (PHC) standards. Bosch has also developed the

Simulated Acoustical Feedback Exposure (SAFE) test to demonstrate that they can withstand two times their rated power for short durations. This ensures extra reliability under extreme conditions, leading to higher customer satisfaction, longer operating life, and much less chance of failure or performance deterioration.

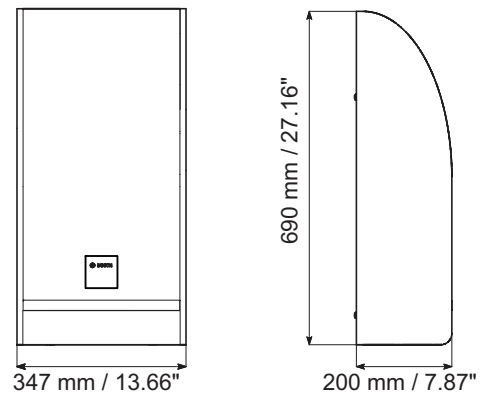
CE	Declaration of conformity
Safety	According to EN 60065
Region	Certification
Europe	CE

### Installation/configuration notes

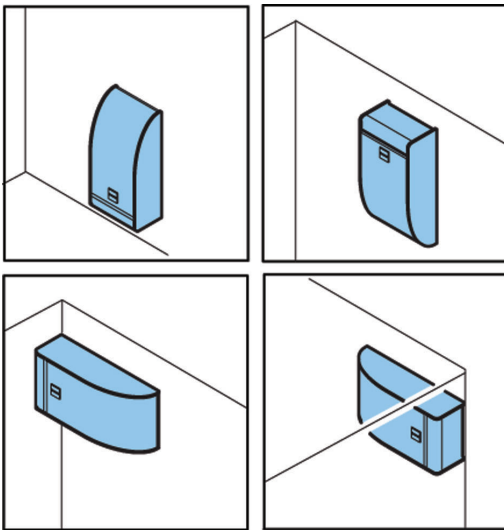
The LB1-SW60 can be placed on the floor or mounted onto the wall. For invisible wall mounting, a wall bracket is standard supplied. The rear of the cabinet has screw inserts for mounting the wall bracket for either horizontal or vertical wall mounting. A drilling template is supplied standard. The Bosch logo plate can be easily adjusted to match the mounting orientation.

Connections are made using a 4-way push terminal block at the rear of the cabinet, where each incoming and outgoing conductor of the same potential can be connected to a separate terminal.

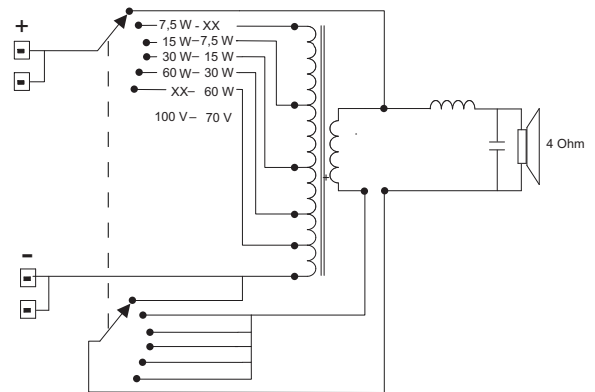
Close to the terminal is a provision for mounting an optional ceramic terminal block with thermal fuse. Power tapping on both 70 V and 100 V allows selection of full-power, half-power, quarter power, eight-power radiation, and 4 Ohm. A selector at the front of the cabinet simplifies the required selection of power setting. This selector can be reached after removing the Bosch logo plate. The metal front grille can be removed from the cabinet for ease of painting, if required.



LB1-SW60 Dimensions



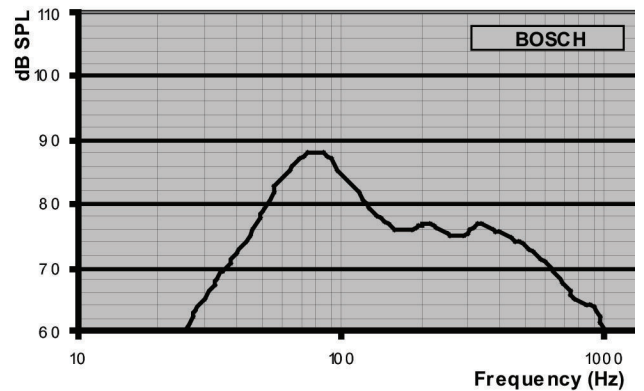
LB1-SW60 Versatile mounting applications



LB1-SW60 Circuit diagram



LB1-SW60 rear view, showing mounting bracket screw inserts and connection terminal



LB1-SW60 Frequency response

## Octave band sensitivity \*

	Octave SPL 1W/m	Total octave SPL 1W/m	Total octave SPL Pmax/m
125 Hz	80.0	-	-
250 Hz	75.6	-	-
500 Hz	73.0	-	-
1000 Hz	62.2	-	-
2000 Hz	44.0		
4000 Hz	33.5	-	-
8000 Hz	29.3	-	-
A-weighted	-	63.2	80.1
Lin-weighted	-	76.8	93.5

Acoustical performance specified per octave

\* (all measurements are done with a pink noise signal; the values are in dBSPL)

## Parts included

Quantity	Components
1	LB1-SW60
1	Drilling template for wall mounting
1	Installation instruction

## Technical specifications

## Electrical\*

Description	LB1-SW60 Subwoofer cabinet
Maximum power	90 W
Rated power (PHC)	60 W
Power tapping	60/30/15/7.5 W
Sound pressure level at rated power / 1 W (70 Hz, 1 m)	106 / 88 dB
Effective frequency range (-10 dB)	45 Hz to 150 Hz
Rated input voltage	15.5/70/100 V
Rated impedance	4/83.5/167 Ohm
Connector	4-way push terminal block

\* Technical performance data acc. to IEC 60268-5

## Mechanical

Dimensions (H x W x D)	690 x 347 x 200 mm (27.16 x 13.66 x 7.87 in)
Weight	12.4 kg (27.34 lb)
Color	White (RAL 9010)

Material	
- Loudspeaker cabinet	MDF
- Front grille	Steel

## Environmental

Operating temperature	-25 °C to +55 °C (-13 °F to +131 °F)
Storage temperature	-40 °C to +70 °C (-40 °F to +158 °F)
Relative humidity	<95%

## Ordering information

**LB1-SW60 Subwoofer Cabinet 60W**

Subwoofer cabinet 60 W, MDF enclosure with metal front grille, white RAL 9010, built-in low-pass filter, selectable 70 V, 100 V, and 4 ohm input, wall-mounting bracket included.

Order number **LB1-SW60**

**Represented by:**

**Americas:**

Bosch Security Systems, Inc.  
12000 Portland Avenue South  
Burnsville MN 55337, USA  
Phone: +1-800-392-3497  
Fax: +1-800-955-6831  
audiosupport@us.bosch.com  
www.boschsecurity.com

**Europe, Middle East, Africa:**

Bosch Security Systems B.V.  
P.O. Box 80002  
5617 BA Eindhoven, The Netherlands  
Phone: + 31 40 2577 284  
Fax: +31 40 2577 330  
emea.securitysystems@bosch.com  
www.boschsecurity.com

**Asia-Pacific:**

Robert Bosch (SEA) Pte Ltd, Security  
Systems  
11 Bishan Street 21  
Singapore 573943  
Phone: +65 6571 2808  
Fax: +65 6571 2699  
apr.securitysystems@bosch.com  
www.boschsecurity.asia

**China:**

Bosch (Shanghai) Security Systems Ltd.  
201 Building, No. 333 Fuquan Road  
North IBP  
Changning District, Shanghai  
200335 China  
Phone +86 21 22181111  
Fax: +86 21 22182398  
www.boschsecurity.com.cn

**America Latina:**

Robert Bosch Ltda Security Systems Division  
Via Anhanguera, Km 98  
CEP 13065-900  
Campinas, Sao Paulo, Brazil  
Phone: +55 19 2103 2860  
Fax: +55 19 2103 2862  
latam.boschsecurity@bosch.com  
www.boschsecurity.com