

# LC6-100S-L Ceiling Mount Compact Sound Speaker System

www.boschsecurity.com



**BOSCH**  
Invented for life



- ▶ Quick-install design with captive mounting tabs to fit nearly any ceiling construction.
- ▶ Four-pin Phoenix connectors on ceiling satellite speakers support pass-thru wiring.
- ▶ UL 2043/1480 ratings allow for use in signaling applications and plenum air spaces.
- ▶ Ceiling cutout templates and all mounting accessories included.
- ▶ Available in white finish.

The LC6-100S-L ceiling mount Compact Sound Speaker System is a complete loudspeaker system package with matched components that together deliver high quality sound. The system is ideal for background and foreground music systems for restaurants, bars, patios, retail, and other applications. The system consists of a high performance ceiling mount 8-inch subwoofer module with a crossover network to support the included four (4) ceiling mount 2-inch satellite speakers. The system provides for easy signal connections at the subwoofer and can support either 4 ohm or 70/100v signal connections. Its high power handling allows the system to be used in a wide variety of environments and spaces to provide high quality background or foreground music.

## Certifications and approvals

Region	Certification
Europe	CE
	CE

## Parts included

Quantity	Description
2	Ceiling mount satellite speakers
2	Grilles
2	C-ring supports
1	Cutout template
1	Engineering data sheet
2	Paint shields

### \* Ceiling Mount Satellite Speaker (1 box)

Quantity	Description
1	Ceiling mount subwoofer
2	Tile rails
1	C-ring support
1	Grille
1	Installation manual

Quantity	Description
2	screws
1	Cutout template
1	Paint shield

**\* Ceiling Mount Subwoofer (1 box)**

**Technical specifications**

	LC6-S-L	LC6-SW100-L
Frequency Response (-10 dB):	180 Hz - 20 kHz <sup>1</sup>	45 Hz - 300 Hz <sup>1</sup>
Power Handling:	30 W <sup>2</sup>	200 W <sup>2</sup>
Sensitivity:	84 dB <sup>1</sup>	88 dB <sup>1</sup>
Impedance:	16 ohms	mono 4 ohm
Maximum SPL:	102 dB	114 dB
Voice Coverage (H x V):	150° x 150° <sup>3</sup>	Omnidirectional
Music Program Coverage (H x V):	100° x 100° <sup>4</sup>	Omnidirectional
Transducer:	50 mm (1.97 in)	200 mm (7.87 in)
Connectors:	Phoenix (4-pin)	Phoenix (2-pin)
Enclosure:	Steel & ABS (fire rated)	Steel & ABS (fire rated)
Transformer Taps:	N/A	100 W, 50 W, 25 W, 12.5 W
Dimensions (H x Dia):	119 mm x 135 mm (4.7 in x 5.3 in)	316 mm x 373 mm (12.44 in x 14.69 in)
Cutout Size:	114 mm (4.49 in)	346 mm (13.6 in)
Net Weight (each):	0.82 kg (1.8 lb)	9.52 kg (21 lb)
Shipping Weight (pair):	1 sub and 4 satellites: 19.05 kg (42 lb)	
Included Accessories:	C-Ring	C-Ring, Tile Rails

<sup>1</sup>Half space

<sup>2</sup>Long Term Program Rating, 3 dB greater than continuous noise pink noise rating

<sup>3</sup>Average 1 kHz – 4 kHz

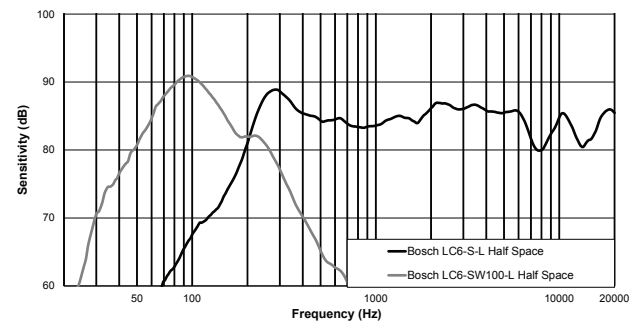
<sup>4</sup>Average 1 kHz – 8 kHz

**Architectural and Engineering Specifications:**

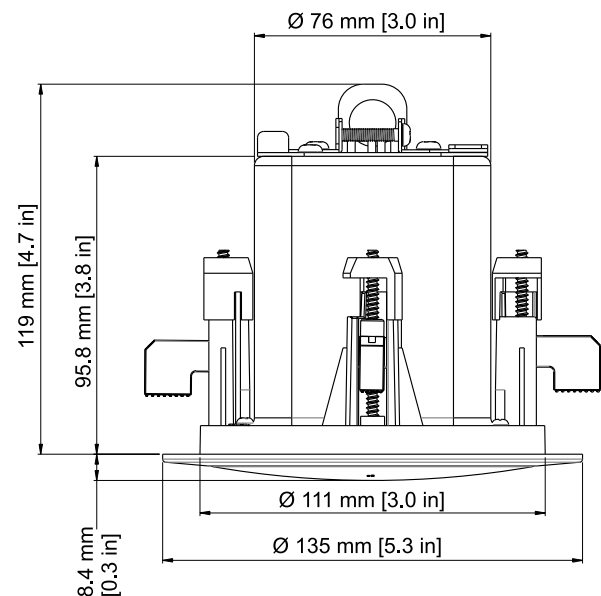
The loudspeaker system shall be a two-way design consisting of a separate subwoofer containing one (1) 8-inch (200 mm) low-frequency transducer, four (4) satellites consisting of 2 inch (50 mm) high-frequency transducers, and frequency-dividing network installed in the vented subwoofer enclosure. All input and output signal connections shall be made at the subwoofer. All signal connections for the subwoofer

and satellite speakers shall be made using phoenix style connectors. The system shall be capable of operating up to 100 watts when driven with a 100V or 70V amplified source signal. The loudspeaker system shall meet the following performance criteria: Power handling, 200 watts of Long Term Program Rating; Frequency response, 45 Hz – 20 kHz (-10 dB from rated sensitivity); Impedance, 4 ohms nominal. The high frequency transducer in the satellites speakers shall provide even coverage of a minimum 100° conically averaged over frequency range of 1 – 8 kHz and a minimum 150° horizontally by 150° vertically averaged over a frequency range of 1 – 4 kHz. The subwoofer enclosure shall be constructed of stamped steel with an integrated fire rated ABS baffle. The satellite speakers shall be constructed of stamped steel with a fire rated ABS baffle. The subwoofer enclosure shall be 12.44 inch (316 mm) high and 14.69 inch (373 mm) in diameter. The satellite speaker enclosure shall be 4.7 inch (119 mm) high and 5.3 inch (135 mm) in diameter. The ceiling mount loudspeaker system shall be LC6-SW100-L or the LC6-S-L models.

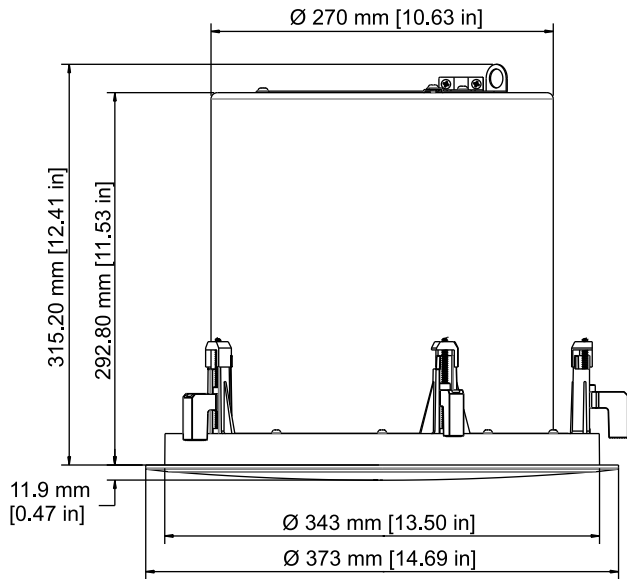
**Frequency Response:**



**Dimensions:**



LC6-S-L



LC6-SW100-L

### Ordering information

#### LC6-100S-L Ceiling Mount Compact Sound Speaker System

Ceiling mount compact sound speaker system package  
– ceiling mount subwoofer and four ceiling mount  
satellite speakers - white

Order number **LC6-100S-L**

**Represented by:**

© Bosch Security Systems 2016 | Data subject to change without notice  
19357690379 | en, V4, 07, Apr 2016